

This file has been cleaned of potential threats.

To view the reconstructed contents, please SCROLL DOWN to next page.

INSTITUTE FOR PLASMA RESEARCH

An Aided institute of department of Atomic Energy, Govt. of India)
Near Indira Bridge, Bhat. DIST.GANDHINAGAR - 382 428 (INDIA)

PHONE :(079-2396 2000),FAX :91-079-23962277

Web : www.ipr.res.in

MINOR FABRICATION WORKS ENQUIRY

Office Copy

ENQUIRY NO :IPR/MFW/18-19/59

Date : 04-12-2019

Due Date : 19-12-2019 13:00 IST

Please send your offer in sealed envelope specifying Inquiry No, Date & Due Date, ALONG WITH your credentials for the following items:

Important Note:

Please note that e-mail quotations are not acceptable however you may send your queries (if any) to **kirti@ipr.res.in**

Please Ensure that your sealed quotation reaches this office not later than above mentioned due date and time.

Kindly go through the following document properly before Quoting which are available on the IPR web portal i.e., <http://www.ipr.res.in/documents/tenders.html/> attached here with.

1. Technical specification as enclosed.
2. Instruction to the bidders & terms and Condition (refer Form NO:**IPR-MFW-01-V1**)
3. Bidding format(refer Biddingformat MFW-Bid.pdf)

GST fro Goods and Services (IGST/CGST/SGST TAX BENEFITS): PLEASE REFER clause no:8 of Form No:**IPR-MFW-01-V1**

QUOTATION SHOULD BE ADDRESSED TO **KIRTI MAHAJAN** ONLY.

Sr.No.	Description	Quantity	Rate
1	Supply of 5 mtr pole as per supplied drawing	34	No.
2	Supply of 6 mtr pole as per supplied drawing	2	No.
3	Installation of 5 mtr pole with making of foundation as per supplied drawing	34	No.
4	Installation of 6 mtr pole with making of foundation as per supplied drawing	2	No.

Free Issue Material

--	--	--	--	--

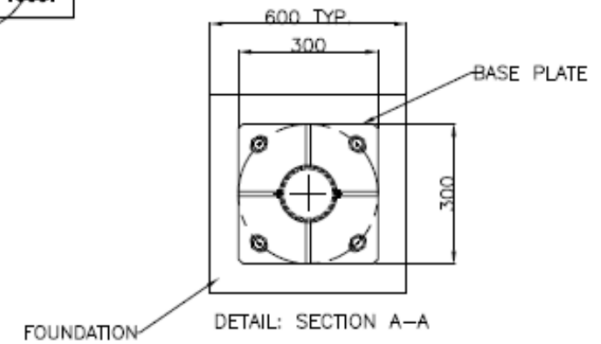
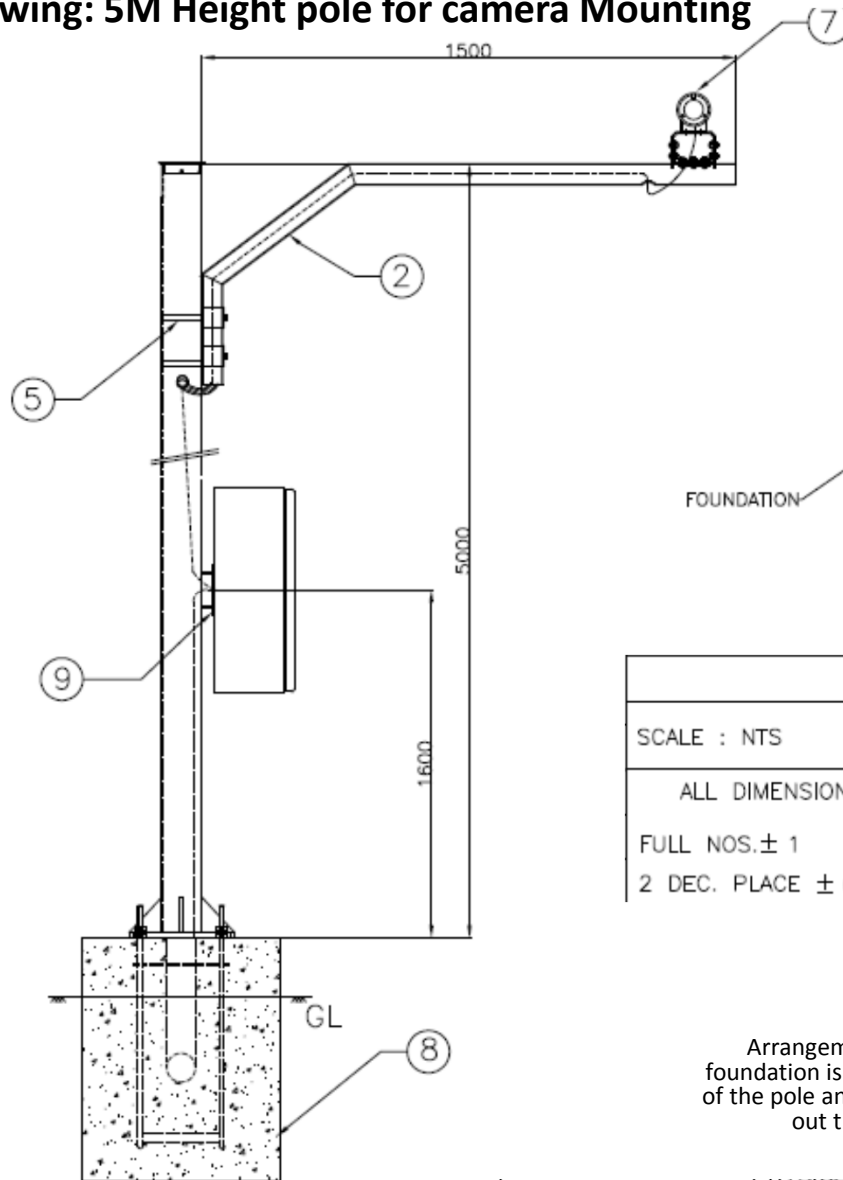
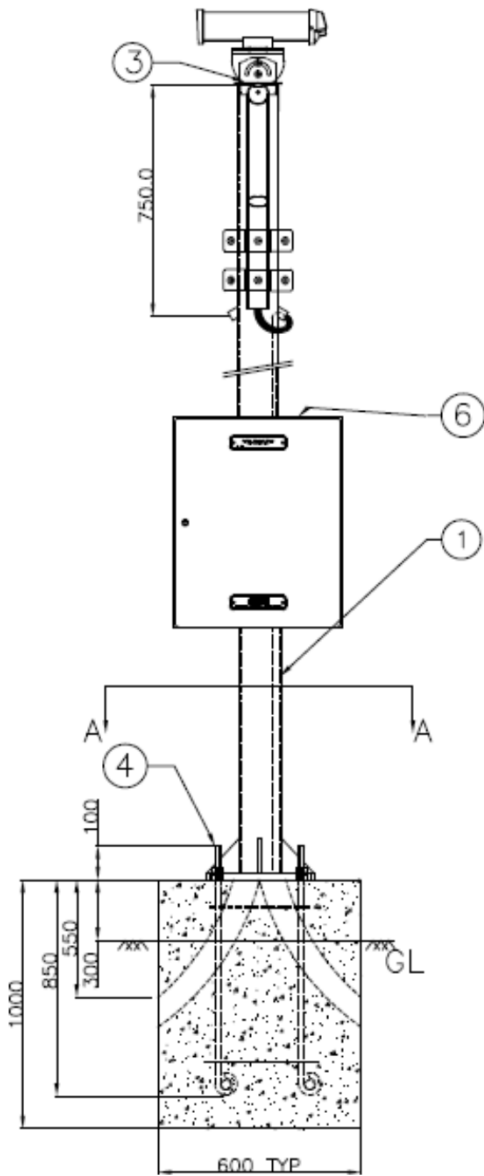
Sr.No.	Description	Quantity	Unit	Value
--------	-------------	----------	------	-------

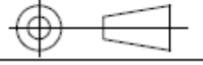
Note : Please quote with complete technical details (Technical Compliance sheet and product data sheet)

Encl:As per attachment

Sd/-
KIRTI MAHAJAN
Scientific Officer-G

Drawing: 5M Height pole for camera Mounting

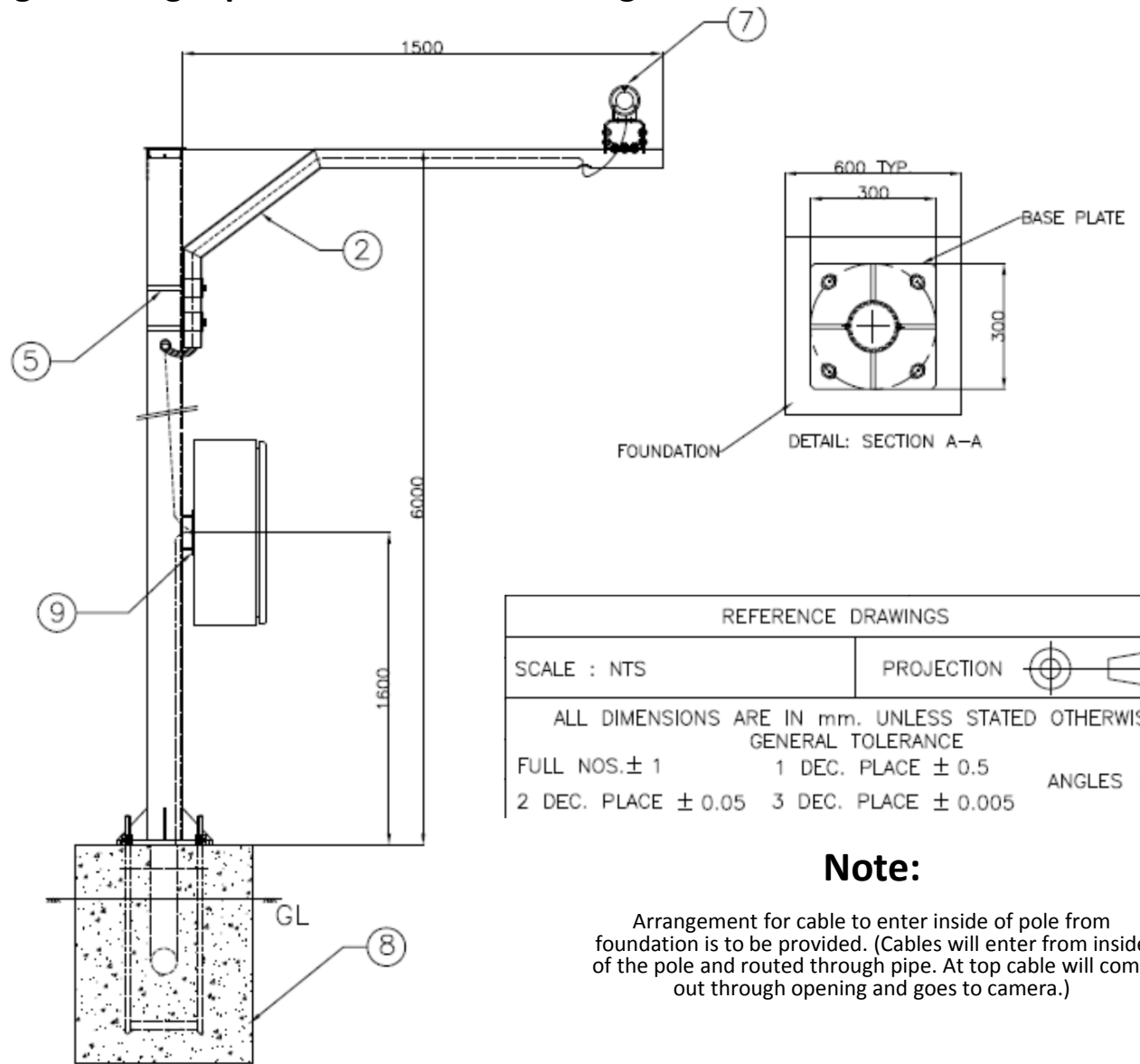
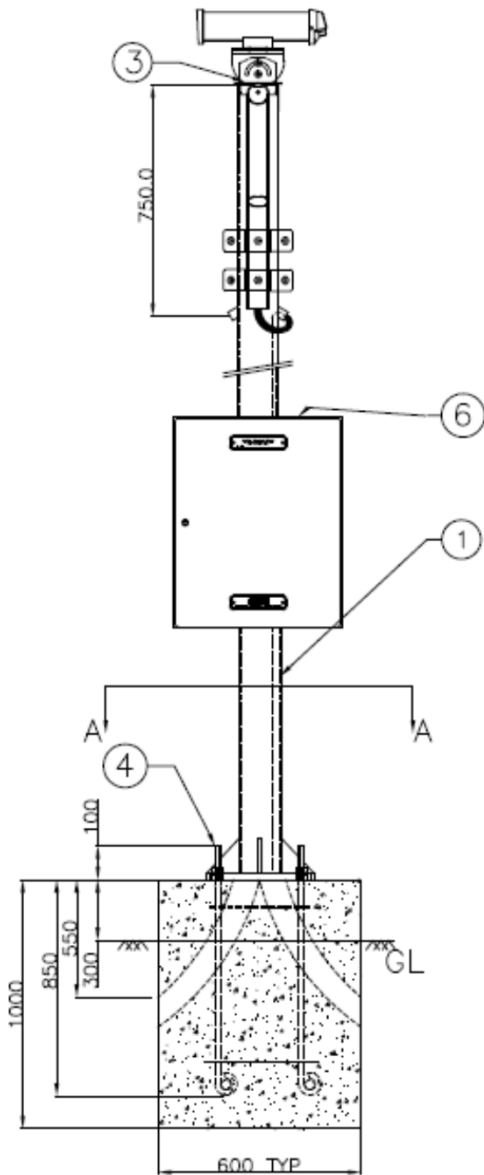


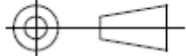
REFERENCE DRAWINGS	
SCALE : NTS	PROJECTION 
ALL DIMENSIONS ARE IN mm. UNLESS STATED OTHERWISE	
GENERAL TOLERANCE	
FULL NOS. ± 1	1 DEC. PLACE ± 0.5
2 DEC. PLACE ± 0.05	3 DEC. PLACE ± 0.005
ANGLES ± 1/2°	

Note:

Arrangement for cable to enter inside of pole from foundation is to be provided. (Cables will enter from inside of the pole and routed through pipe. At top cable will come out through opening and goes to camera.)

Drawing: 6M Height pole for camera Mounting



REFERENCE DRAWINGS	
SCALE : NTS	PROJECTION 
ALL DIMENSIONS ARE IN mm. UNLESS STATED OTHERWISE	
GENERAL TOLERANCE	
FULL NOS. ± 1	1 DEC. PLACE ± 0.5
2 DEC. PLACE ± 0.05	3 DEC. PLACE ± 0.005
ANGLES ± 1/2°	

Note:

Arrangement for cable to enter inside of pole from foundation is to be provided. (Cables will enter from inside of the pole and routed through pipe. At top cable will come out through opening and goes to camera.)

SUPPLY & INSTALLATION OF CCTV POLES AS PER SUPPLIED DRAWINGS.

01. INTRODUCTION:

Contractor has to Supply and install 34 Numbers of 5M & 02 Numbers of 6M CCTV poles at the given locations with-in the campus of IPR. The Supply of poles and installations should be as per the drawings and specifications given by IPR.

02. SCOPE OF WORK:

The major scope of works includes the following:

1. Supply of poles as per the drawing.
2. Making foundation as per drawing at various locations within IPR campus.
3. Installation of poles on the foundation laid.

03. PERIOD OF WORK COMPLETION : 04 Months

1. Timely completion of the contract is very much essential. The period of completion for the work contract is within four months from the date of order (Early completion is preferred).
2. The contractor is responsible to provide sufficient manpower with all the machinery equipment, tools necessary to complete the tasks within the time period as mentioned.
3. All necessary arrangements should be made by the contractor to guarantee the execution in defined time period.

04. ACCEPTANCE CRITERIA

1. The work executed by the contractor will be tested at different stages for its qualification.
2. Before supply, Inspection of material at vendor site will be carried out by IPR to verify the fabrication of poles as per the specifications.
3. Visual inspection of components for any defects, flaws etc. will be done by the IPR personnel in the presence of contractor to qualify the work executed at IPR.
4. Contractor should submit Standard test reports/Certificates of poles/materials against the Compliance of Standard & quality as mentioned in the technical specifications.

05. WORKS PROCEDURE /GUIDELINES

1. Contractor will execute the job at IPR site under the supervision of IPR in-charge.
2. Contractor will take prior approval from IPR for the complete breakup of activities, time schedule etc.
3. Necessary precautions shall be taken by the contractor at the installation site of IPR to ensure the safety of the equipment and personnel working on the task.

06. Warranty Period:

12 months: Warranty will be in effect from the date of acceptance of work given by IPR.

Specifications

A: 5M Height Pole for camera Mounting

Quantity=34 Nos.

Sr. (as per diagram)	Description	Qty.	Specifications
1	Pole Fabrication details	-	114 Φ X 3.6 WT MS pipe conforming to IS 1161 Galvanized to min 75u thk and PU painted.
2	1.5m Long Extension Arm	1	60.3 OD, 2.9WT MS pipe as per IS 1161 Galvanized to min 75u thk and PU painted.
3	Top Canopy	1	10SWG CRS
4	Foundation Bolt	1 Set (4 Numbers)	MS 20 Φ , 900 Long
5	U Bolt for extension arm	4	8 Φ SS304 Rod with all required accessories. (M8 Nuts+ PL Washers + Spring Washers etc.)
6	Junction Box *	0	* Not to be supplied & installed
7	Camera *	0	* Not to be supplied & installed
8	Foundation Details	A/R	P.C.C 1:1:2 at Site installation, Details as per drawing
9	M8 Nuts+PL Washers+Spring Washers *	0	* Not to be supplied & installed

B. 6M Height Pole for camera Mounting

Quantity=02 Nos.

Sr. (as per diagram)	Description	Qty.	Specifications
1	Pole Fabrication details	-	114 Φ X 3.6 WT MS pipe conforming to IS 1161 Galvanized to min 75u thk and PU painted.
2	1.5m Long Extension Arm	1	60.3 OD, 2.9WT MS pipe as per IS 1161 Galvanized to min 75u thk and PU painted.
3	Top Canopy	1	10SWG CRS
4	Foundation Bolt	1 Set (4 Numbers)	MS 20 Φ , 900 Long
5	U Bolt for extension arm	4	8 Φ SS304 Rod with all required accessories. (M8 Nuts+ PL Washers + Spring Washers etc.)
6	Junction Box *	0	* Not to be supplied & installed.
7	Camera *	0	* Not to be supplied & installed.
8	Foundation Details	A/R	P.C.C 1:1:2 at Site installation, Details as per drawing
9	M8 Nuts+PL Washers+Spring Washers *	0	* Not to be supplied & installed.

GENERAL CONDITION OF CONTRACT

1.1. **THE RATES QUOTED BY CONTRACTOR ARE ALSO INCLUSIVE OF**

- I. Cost of labor, materials, tools, tackles etc.
- II. If required, use of scaffolding, curing, disposal of debris as directed.
- III. Cost of unloading, transporting, stacking and storing or supply of materials for this work on the site and the places approved by IPR.
- IV. Any other expenses required for fulfilment of Contractor's obligations as entered elsewhere in this contract.

1.2. **COMPLETION CERTIFICATE AND JOINT INSPECTION**

The Contractor shall give notice of completion to IPR representative immediately after completion of work and shall arrange for a joint inspection of work by his representatives and the IPR representatives. The contractor shall rectify defects pointed out during inspection within seven days. Thereafter final certificate to the effect that "the work has been completed to the satisfaction of IPR" shall be issued by the IPR after the joint inspection and complying with the observations, if any made in the report. The work shall not be consider as complete until the contractor shall have removed from the premises all scaffolding, surplus materials, rubbish etc.

1.3. **STANDARD OF WORKMANSHIP AND MATERIAL USED FOR WORK**

The contractor shall be required to execute the work in accordance with the standard of specifications for the workmanship and materials as per relevant Indian Standards and no deviation thereof shall be permitted without written permission from the Engineer in charge. The entire work shall be free from poor and faulty workmanship and the contractor shall be liable to rectify all faults and defects if occurred and noticed within one year (Defect liability period) from the date of completion of the work.

1.4. **LIABLE FOR DAMAGES**

Contractor shall be responsible for making good at his cost to the satisfaction of the Institute, may loss of and any damage to all structures and properties belonging to the Institute or being not executed or procured or being procured by the Institute or of the other agencies within the premises of all the work of the Institute if such loss or damage is due to fault and/or the negligence or omission of the contractor, his employees, workmen or representatives or damage due to fire also. It is also worth to note that there may be live low voltage or high voltage electrical power cables, and water supply lines lying at the area of work for which the contractor should take precautions (special care) at the time of execution of the work.

1.5. **DEFECTS LIABILITY PERIOD**

The contractor will be required to rectify any defects caused during the period of **1 year**. The period of 1 year shall be reckoned from the date of final completion & acceptance of work as per Warranty clause. He will not be paid any extra amount whatsoever required for rectifying those defects. If the contractor does not agree for rectifying those defects the Institute shall rectify the same and the amount incurred on rectifying the defect will be deducted from his Security Deposit.

1.6. The Tenderer should sign all pages of the tender in token of acceptance of the terms and condition and return the same to us.

- 1.7. It is advised that the contractor should visit the site of work, examine condition of the work and understand the work in consultation with engineer-in-charge.
- 1.8. **EXTRA ITEM WORKS**
No alterations, amendments, omissions, additions or other variations of the work/ equipment under the contract (hereinafter referred to as "Variations") shall be made by the Contractor except as instructed in writing by Institute.
- If there are items not included in scheduled of rates (hereinafter referred to as "Extra Items") Engineer-in-Charge shall have full power to ask contractor to carry out the same. Extra items should be carried out only after written permission of the INSTITUTE.
- In case of the other items where no component is directly derivable from schedule of rates, reasonable rate for the item based on market rate of material and labour as ascertained by owner shall be taken as the basis allowing only 10% (ten percent) margin for contractor's profit, supervision and overheads. The Contractor will submit a rate analysis based on the market rates, original bills, vouchers, etc. in connection with determination of such rates. The opinion of the Institute as to current market rates of materials and the quantum of labour involved per unit of measurement will be final and binding on Contractor.
- 1.9. **SAFETY CODE**
The contractor shall take all necessary precautions to ensure safety of labourers deployed for the said work and arrange to provide prompt medical assistance if required. The Institute is not in any case responsible for any type of accident during the execution of works and it will be the total responsibility of the contractor. You should abide by the standard safety rules and regulations. You should strictly follow the instructions passed by IPR Safety Officer or IPR representative and compliance the same regarding safety related precautions during the execution of the work.
- 1.10. **GOVERNMENT LABOUR ACT:**
The contractor has to follow strictly the Government labour Acts, which are and will be in force during the period of execution of work, all necessary arrangement for labourer's security, insurance will have to be made by the contractor at his own cost as per rules/ contractor's labour regulations, the contractor shall insure his labourers with Insurance Policy.
- 1.11. Quantities shown in the bill of quantities are approximate and may vary during the execution depending on the site conditions. Billing & payment shall be done as per the actual quantity of Supply & Installation of material carried out at site.
- 1.12. The contractor shall make his own arrangement for the security of his materials, and equipment's etc.
- 1.13. The contractor shall note that this work has to be carried out inside Institute's campus; hence special care shall be taken at the time of execution of the work. The Contractor shall give strict instructions to his persons involved in the work, not to damage any equipment, fixtures or furniture lying inside the building. The contractor is fully responsible to clean the floor, paint, fixtures etc., after the completion of the work / at the time of execution of the work. He should also note that after completion of the work he shall dispose or stack the debris outside / inside of the campus as directed by Institute.

- 1.14. Contractor has to follow Institute's security rules and regulations for labours / workers for entry and exit from the Main gate as well as material entry. All the labours / workers should have identification cards such as election card, Adhar card and got police verification certificate from local authority as required by IPR security. Contractor has to obtain prior permission of the Institute to work inside campus for holidays, Saturdays, Sundays and after office hours. No labours are allowed inside campus for night stay.
- 1.15. The Director, Institute for Plasma Research reserves the right to accept or reject the Contract in full or in part without assigning any reasons thereof.
- 1.16. **WATER SUPPLY**
Temporary water for the said work shall be made available by the Institute at the points available at present **free of cost**. Contractor shall arrange to make a tapping, provide valves, provide and lay pipeline for distribution and use etc. complete at his own cost. Institute will in no way be responsible for delays in execution of work, if sufficient and continuous water is not available at site. It is the duty of contractor to arrange sufficient water for construction at his own cost, in case Institute is unable to provide required quantity of water for construction. Contractor has to take care for wastage of the water. No water wastage is acceptable. If water wastage is found during the work, appropriate action will be taken and water supply from the Institute may be stopped. In such case you should arrange your own water supply.
- 1.17. **ELECTRICAL POWER**
Institute may provide temporary power, at a single point **free of cost**. The cables, bulbs, electric fixtures etc. shall be provided by the contractor at his cost. Institute will in no way be responsible for any delays in execution of the work if sufficient and continuous power is not available at site. For any mishap due to his irregular maintenance and negligence, contractor shall be held responsible and liable. Contractor has to follow electrical safety rules, to avoid any accident as well as misuse of the electrical power. If any electrical power misuse or unsafe practice found during the work, appropriate action will be taken and electrical power supply from the Institute may be stopped / disconnected. In such case you should arrange your own electrical power.
- 1.18. **CLEARANCE OF SITE ON COMPLETION**
On completion of the works, the contractor shall clear away and remove from the site, all surplus materials, rubbish and temporary works of every kind and leave the whole site clean and in workman like condition to the satisfaction of Institute at his own cost. If the contractor fails to clear the site within 1 week after virtual completion/submission of final bill whichever is earlier, the Institute may get the site cleared at contractor's cost.

Contractor's signature and seal

Date:

Compliance Statement

A: 5M Height Pole for camera Mounting

Quantity=34 Nos.

Sr.	Description	Qty.	Specifications	Vendor's Specification in values
1	Pole Fabrication details	-	114 Φ X 3.6 WT MS pipe conforming to IS 1161 Galvanized to min 75u thk and PU painted.	
2	1.5m Long Extension Arm	1	60.3 OD, 2.9WT MS pipe as per IS 1161 Galvanized to min 75u thk and PU painted.	
3	Top Canopy	1	10SWG CRS	
4	Foundation Bolt	1 Set (4 Numbers)	MS 20 Φ , 900 Long	
5	U Bolt for extension arm	4	8 Φ SS304 Rod with all required accessories. (M8 Nuts+ PL Washers + Spring Washers etc.)	
6	Foundation Details	A/R	P.C.C 1:1:2 at Site installation, Details as per drawing	

Contractor's signature and seal

Date

B. 6M Height Pole for camera Mounting

Quantity=02 Nos.

Sr.	Description	Qty.	Specifications	Vendor's Specification in values
1	Pole Fabrication details	-	114 Φ X 3.6 WT MS pipe conforming to IS 1161 Galvanized to min 75u thk and PU painted.	
2	1.5m Long Extension Arm	1	60.3 OD, 2.9WT MS pipe as per IS 1161 Galvanized to min 75u thk and PU painted.	
3	Top Canopy	1	10SWG CRS	
4	Foundation Bolt	1 Set (4 Numbers)	MS 20 Φ , 900 Long	
5	U Bolt for extension arm	4	8 Φ SS304 Rod with all required accessories. (M8 Nuts+ PL Washers + Spring Washers etc.)	
6	Foundation Details	A/R	P.C.C 1:1:2 at Site installation, Details as per drawing	

Contractor's signature and seal

Date: